

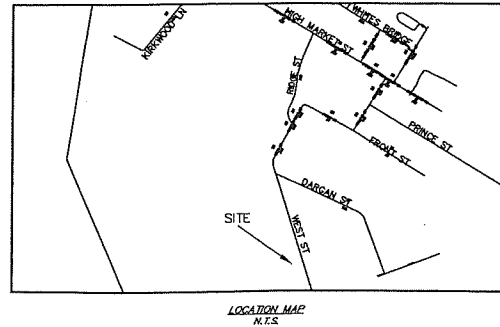
**REFERENCES**

1. MAP OF MYRTLE GROVE PLANTATION, DATED DECEMBER 29, 2966, PREPARED BY LEGARE HAMILTON, C.E., L.S., RECORDED IN PLAT BOOK 5, PAGE 79.
2. PLAT OF MYRTLE GROVE, DATED APRIL 8, 1970, PREPARED BY LEGARE HAMILTON, C.E., L.S.
3. PLAT OF 1.8 ACRES OF LAND, SURVEYED FOR ST. FRANCIS WILMARE SOCIETY, DATED OCTOBER 16, 2006, PREPARED BY A. LUCKEY SANDERS, R.L.S.
4. DEED RECORDED IN DEED BOOK 78, PAGE 373.
5. GEORGETOWN COUNTY TAX MAP 05-0010-001-00-00

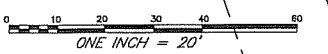
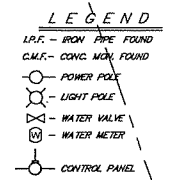
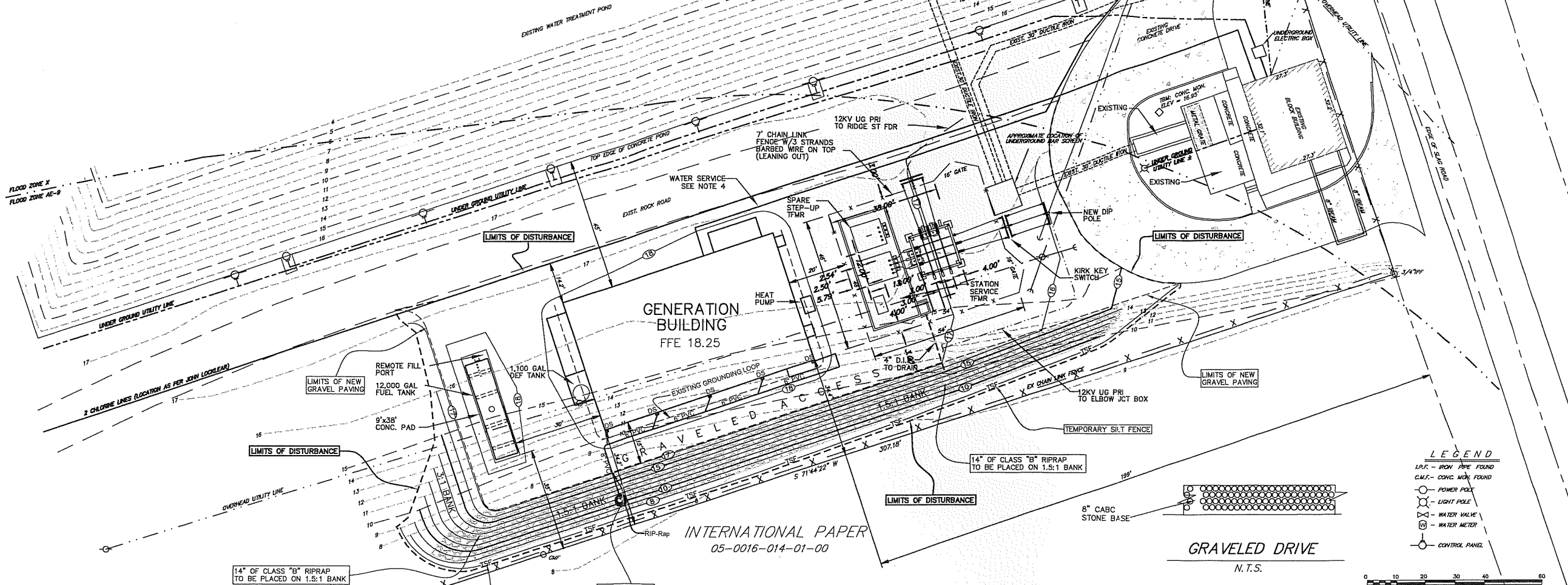
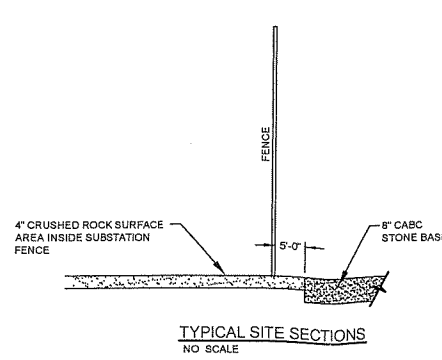
**NOTES**

1. FLOOD ZONES SHOWN SCALED FROM F.L.R.M. COMMUNITY PANEL 450007 0001 D, REVISED 3/16/1989.
2. OWNER OF RECORD: CITY OF GEORGETOWN  
PO BOX 839  
GEORGETOWN, SC 29442
3. ZONED: H1  
BUILDING SETBACKS: FRONT = 40'  
SIDE = 20'  
REAR = 25'
- \* SETBACKS TO BE VERIFIED BY THE CITY OF GEORGETOWN (AND IF APPLICABLE, VERIFIED BY APPROPRIATE HOA OR ARB).
4. THIS PROPERTY IS SUBJECT TO ALL EASEMENTS AND RESTRICTIONS OF RECORD. NO TITLE SEARCH PERFORMED BY THIS OFFICE.
5. THIS SURVEY WAS PREPARED FOR THE EXCLUSIVE USE OF THE PERSON(S) OR ENTITY APPEARING ON SAID SURVEY. THIS SURVEY DOES NOT EXTEND TO ANY UNNAMED PERSON(S) OR ENTITY WITHOUT AN EXPRESSED RECERTIFICATION BY PARKER LAND SURVEYING, LLC.
6. THIS SURVEY IS NULL AND VOID IF SIGNATURE AND EMBOSSED SEAL ARE ABSENT.
7. ALL BEARINGS AND COORDINATES SHOWN HEREON ARE BASED ON SOUTH CAROLINA STATE PLANE COORDINATE SYSTEM 1983. DISTANCES SHOWN HEREON ARE HORIZONTAL (GROUND) DISTANCES, NOT GRID DISTANCES.
8. ELEVATIONS SHOWN BASED ON NAVD 88 DATUM.  
EXAMPLE: X 10.5
9. UNDERGROUND UTILITY LOCATION PER WEST GEORGETOWN COUNTY REGIONAL WWP; CIVIL EXISTING SITE & GRADING, DEMOLITION & LAGOON CLEANING PLAN, DATED FEBRUARY 2000, PREPARED BY HAYES, SEAY, MATTERN & MATTERN, INC.

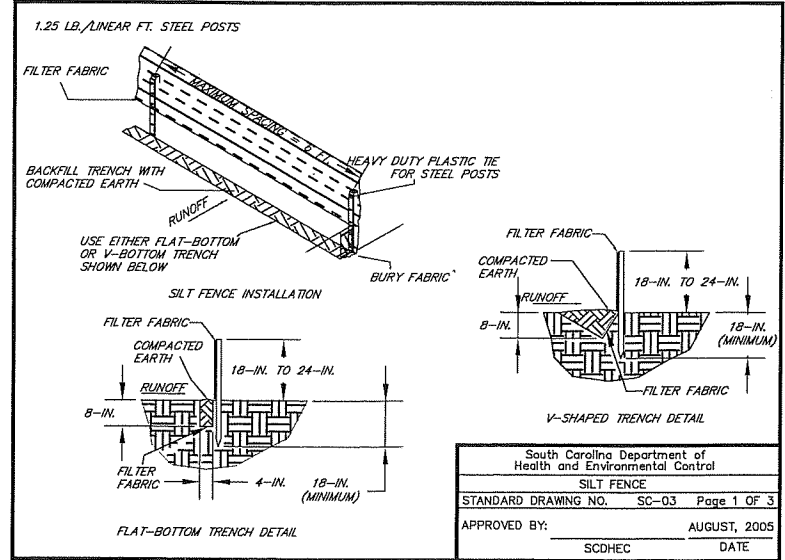
UNDERGROUND UTILITY LOCATIONS ARE APPROXIMATE.



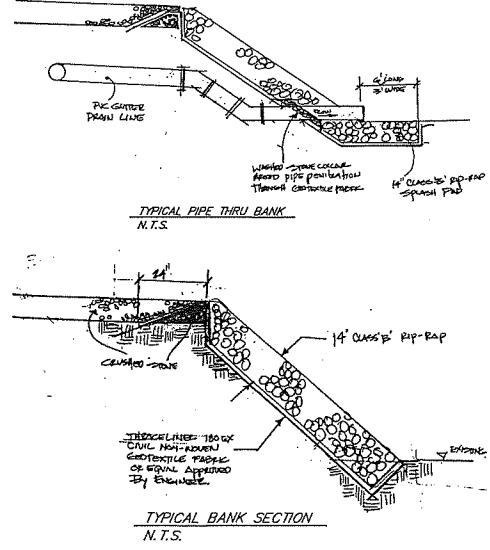
SURVEY PREPARED BY  
PARKER LAND SURVEYING, LLC  
400 CHURCH ST.  
GEORGETOWN, SC 29440



- GENERAL SITE NOTES:**
1. EXCAVATE TO THE FINISH GRADE SHOWN ON THE PLAN, OR TO THE UNDERCUT ELEVATION SHOWN ON PLAN.
  2. ALL STONE FOR THE SURFACE STABILIZATION TO BE INSTALLED ON SITE AFTER INSTALLATION OF BELOW GRADE GRADING.
  3. 4" CRUSHED ROCK SURFACING MATERIAL FOR INSIDE OF SUBSTATION SHALL BE CRUSHED LIMESTONE WHICH SHALL BE 100% PASSING A 1" SIEVE, 85% TO 95% PASSING A 3/4" SIEVE, 15% TO 25% PASSING A 1/2" SIEVE, 5% TO 10% PASSING A 3/8" SIEVE, AND 0% TO 2% PASSING A NO. 4 SIEVE. AREA UNDER CRUSHED SURFACING SHALL BE TREATED WITH AN ENVIRONMENTALLY SAFE WEED ERADICATOR AND SOIL FUMIGANT. (NO. 57 CRUSHED GRANITE WILL BE ACCEPTABLE AS AN ALTERNATIVE TO CRUSHED LIMESTONE.)
  4. CONTRACTOR TO INSTALL 3/4" SCHEDULE 40, BLACK POLYETHYLENE UNDERGROUND WATER PIPE FROM BUILDING TO EXISTING WATER SERVICE LINE. INSTALL PARALLEL TO ROCK ROAD WITH 3'-0" MINIMUM COVER. SEE SHEET M-1 FOR DETAILS OF WATER SERVICE AT BUILDING.

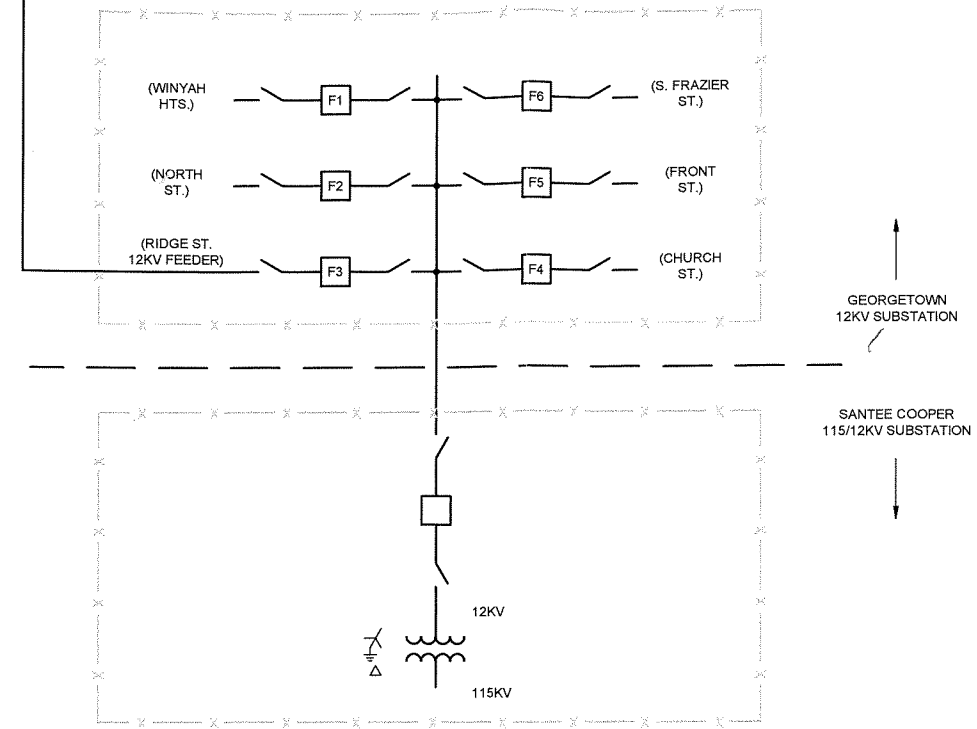
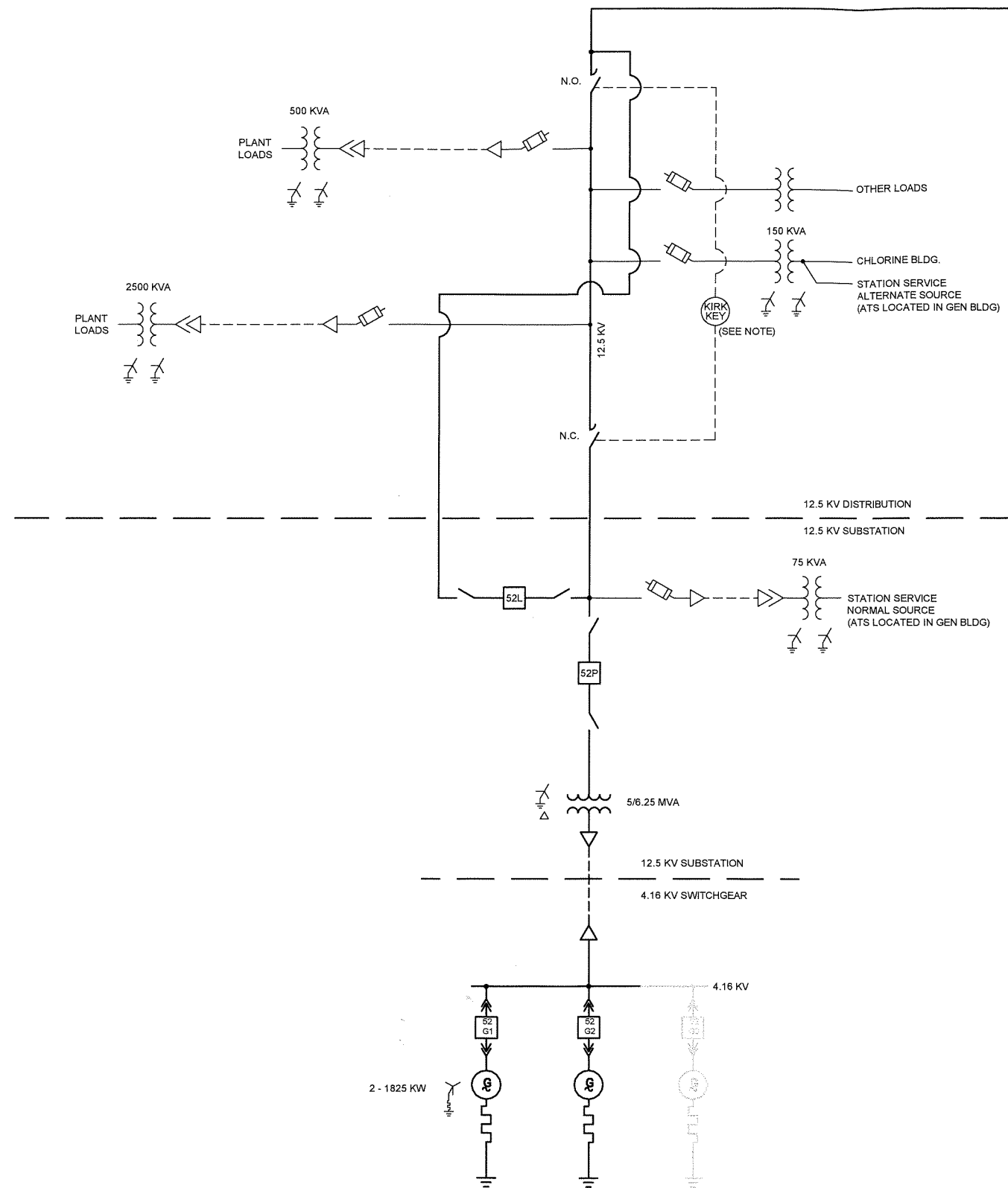


South Carolina Department of Health and Environmental Control  
SILT FENCE  
STANDARD DRAWING NO. SC-03 Page 1 OF 3  
APPROVED BY: \_\_\_\_\_ AUGUST, 2005  
SCDHEC DATE



**FIGURE 5-2**

CITY OF GEORGETOWN SOUTH CAROLINA		PEAK SHAVING GENERATION PLANT SITE PLAN	
UTEC UTILITY TECHNOLOGY ENGINEERS - CONSULTANTS		P.O. Box 2829 • Asheboro, North Carolina • 27204	
DRAWN	DATE: 2/22/17	DWG. NO.	C1
SCALE: 1" = 20'	JOB NO.	SHEET NO.	2 OF 2



NOTE -  
KIRK KEY OPERATING SEQUENCE TO BYPASS THE GENERATION PLANT SUBSTATION FOR WWTP POWER.

1. ENSURE RIDGE STREET FEEDER NOT IN A FAULT CONDITION.
2. OPEN THE N.C. SWITCH TO RETRIEVE THE KIRK KEY.
3. USE THE KIRK KEY TO CLOSE THE N.O. SWITCH.
4. WITH THE SWITCHES IN THIS POSITION, STANDBY SERVICE FOR THE WWTP WILL NOT BE AVAILABLE FROM THE GENERATION PLANT.
5. REVERSE THE SEQUENCE TO RETURN THE SWITCHES TO NORMAL OPERATING POSITION.

# FIGURE 6-1

NO.	REVISIONS	DATE

**CITY OF GEORGETOWN**  
 GEORGETOWN, SOUTH CAROLINA  
 PEAK SHAVING GENERATION PLANT  
 OVERALL  
 ONE-LINE DIAGRAM

**UTEC** UTILITY TECHNOLOGY  
 ENGINEERS - CONSULTANTS  
 P.O. Box 2629 · Asheboro, North Carolina · 27204

DWN: JTG	DATE: 2/22/17	DWG. NO: E1
SCALE: NONE	JOB NO: 13101.000	SHEET NO: 1 OF 1